

Aluminum Capacitors

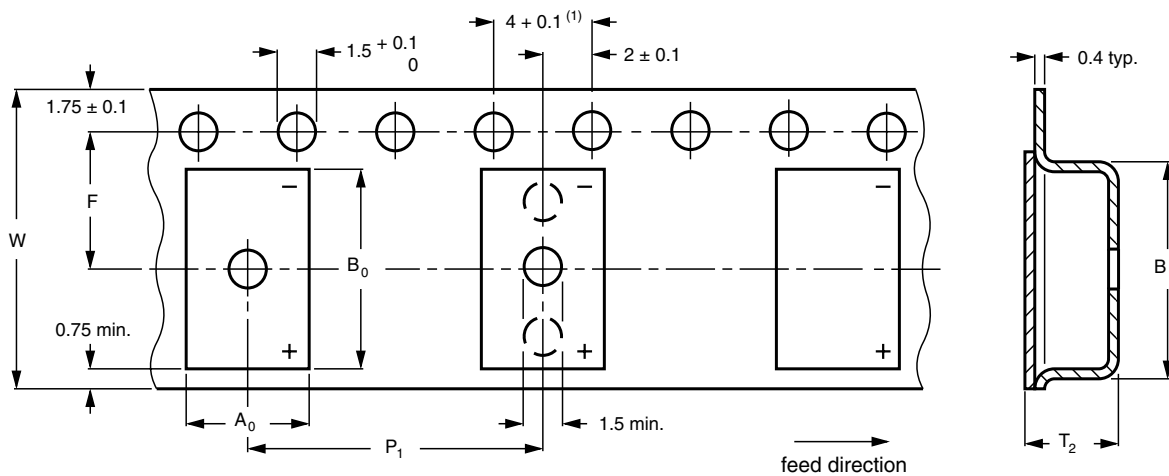
TAPE AND REEL DATA

The information contained within this part is valid for the following series:

- 085 CS
- 139 CLL

For catalog numbers, refer to the relevant detail specification in this data book.

Vishay BCcomponents SMD aluminum capacitors are available in taped version based on IEC 60286-3. They are most suitable for use on automatic placement machines and are supplied in blister tape on reel.



Note

(1) Tolerance over any pitches: ± 0.2 mm

Fig.1 Blister tape

Table 1

BLISTER TAPE: DIMENSIONS in millimeters AND PACKAGING QUANTITIES					
PARAMETER	085 CS		139 CLL		TOLERANCE
CASE CODE	1A	1	2	3	-
CASE SIZE					
L_{nom}	8.8	11.9	14.3	14.3	-
W_{nom}	3.7	3.7	6.2	7.6	-
H_{nom}	3.9	3.9	6.9	8.2	-
W	16	24	24	24	± 0.3
T_2	4.9	4.9	7.7	9.1	max.
F	7.5	11.5	11.5	11.5	± 0.1
P_1	8	8	12	12	± 0.1
A_0	4.1	4.1	6.5	7.9	± 0.2
B_0	9.3	12.5	14.8	14.8	± 0.2
B_1	10	13.2	15.5	15.5	max.
Quantity per reel	2000	2000	700	700	-

The information contained within this part is valid for the following series:

- 153 CRV
- 140 CRH
- 150 CRZ

For catalog numbers, refer to the relevant detail specification in this data book.

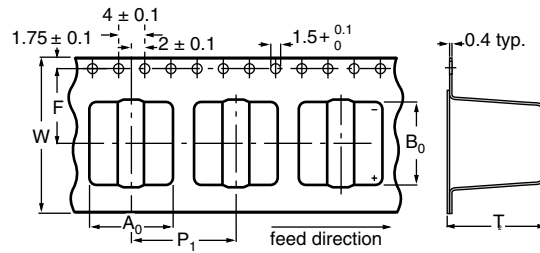


Fig.2 Blister tape (0405 to 1216)

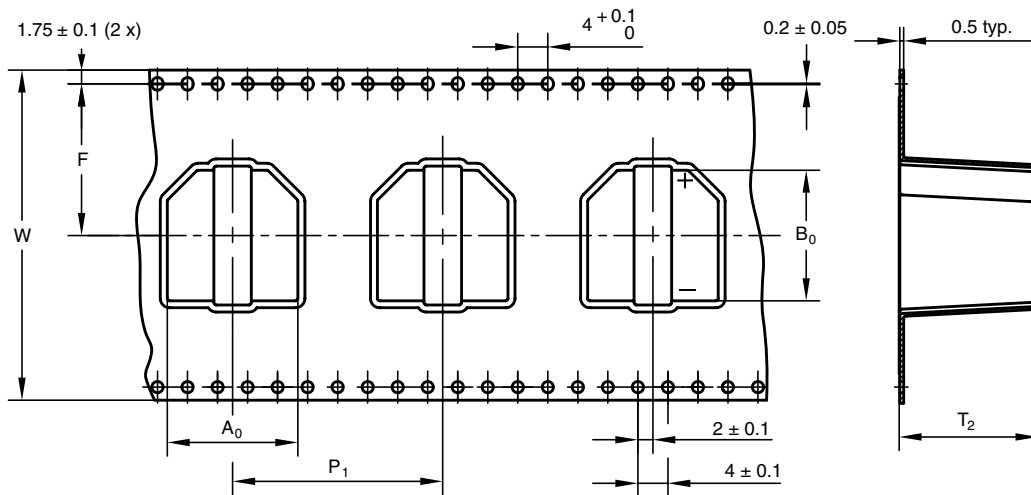


Fig.3 Blister tape (1616 to 1821)

Table 2

BLISTER TAPE: DIMENSIONS in millimeters AND PACKAGING QUANTITIES															
PARAMETER	153 CRV; 140 CRH; 150 CRZ														TOLERANCE
CASE CODE	0405	0505	0605	0807	0810	1010	1012	1014	1213	1216	1616	1621	1816	1821	-
CASE SIZE															
L_{nom}	4.0	5.0	6.3	8.0	8.0	10.0	10.0	10.0	12.5	12.5	16.0	16.0	18.0	18.0	-
W_{nom}	4.0	5.0	6.3	8.0	8.0	10.0	10.0	10.0	12.5	12.5	16.0	16.0	18.0	18.0	-
H_{nom}	5.3	5.3	5.3	6.5	10.0	10.0	12.0	14.0	13.0	16.0	16.0	21.0	16.0	21.0	-
W	12	12	16	16	24	24	24	24	24	32	44	44	44	44	± 0.3
T_2	6.0	6.0	6.0	7.0	11.6	11.6	13.0	15.4	16.2	18.5	18.9	23.4	18.9	23.4	max.
F	5.5	5.5	7.5	7.5	11.5	11.5	11.5	11.5	11.5	14.2	20.2	20.2	20.2	20.2	± 0.1
P_1	8	12	12	12	16	16	16	16	20	24	28	28	32	32	± 0.1
A_0	5.0	6.0	7.0	8.7	8.7	10.5	10.5	10.5	13.5	13.5	17.4	17.4	19.4	19.4	± 0.3
B_0	5.0	6.0	7.0	8.7	8.7	10.5	10.5	10.5	13.5	13.5	17.4	17.4	19.4	19.4	± 0.3
Quantity per reel	2000	1000	1000	1000	500	500	250	250	250	200	150	100	150	100	-

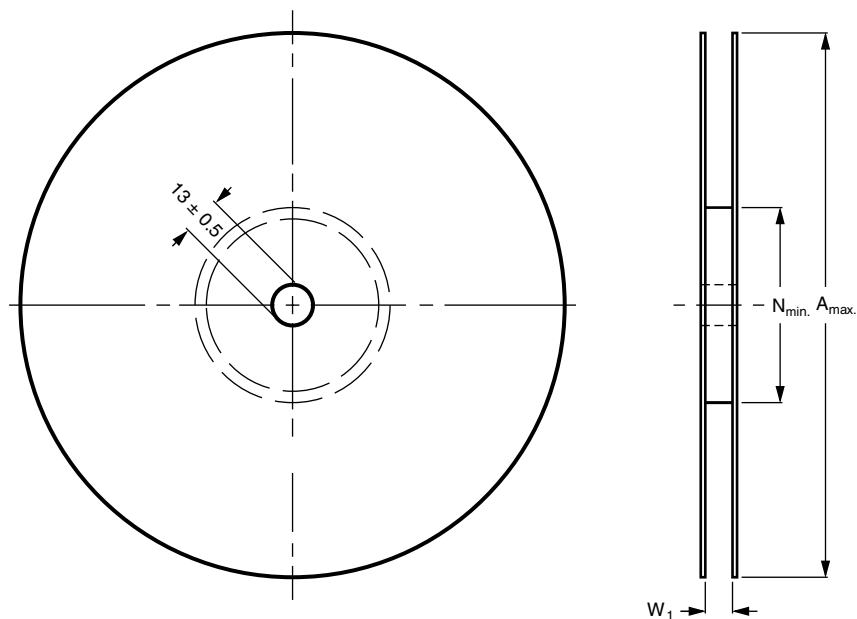


Fig.4 Reel for blister tape

Table 3

REEL DIMENSIONS in millimeters					
TAPE WIDTH	A _{max.}			N _{min.}	W ₁
	085 CS 139 CLL	153 CRV; 140 CRH; 150 CRZ			
		CASE SIZE 1012, 1014	CASE SIZE ≤ 1010, ≥ 1213		
12	-	-	380	50	14
16	330	-	380	50	18
24	330	330	330 or 380 ⁽¹⁾	50	26
32	-	-	380	50	34
44	-	-	380	50	46

Note

⁽¹⁾ Depending on production location